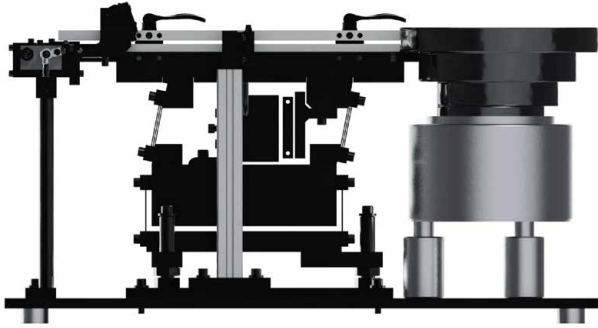




**SKU: A10-127**

## **A10 Vibratory Bowl Pick & Place Presenter**

A 10" (254mm) diameter vibratory bowl presenter suitable for feeding or presenting fasteners to a drive head or dispenser assembly.



## Anatomy & Features

The A10 Series of vibratory bowl presenters comes complete with hardened tool steel and stainless steel escapement.

Optic controls switch the bowl vibration on and off to prevent excessive wear and over-pressurization of escapement and tooling areas as seen on other manufacturer's systems.

- ✓ Resistant to wear & tear damage
- ✓ Standard polyethylene bowl coating
- ✓ Optional hard anodize or urethane bowl coating
- ✓ 3-Step fastener alignment verification prevents jams
- ✓ Hardened & heat-treated durable tool steel composition
- ✓ Longer run time between feeds due to less track level fastener jams
- ✓ Less pinch points & no mechanical adjustments for enhanced safety

## Product Technical Data

Bowl Size	10" (254mm)
Fastener Delivery Method	Presenter Pickup
Max. Fastener Head $\varnothing$	11mm
Max. Fastener Length	38mm
Max. Fastener Shaft $\varnothing$	5mm
Fastener Type	Screw, Set Screw, Nut, Bolt, Pin, Stud, Rivet