

# A24 Vibratory Bowl Feeder Compact Enclosed

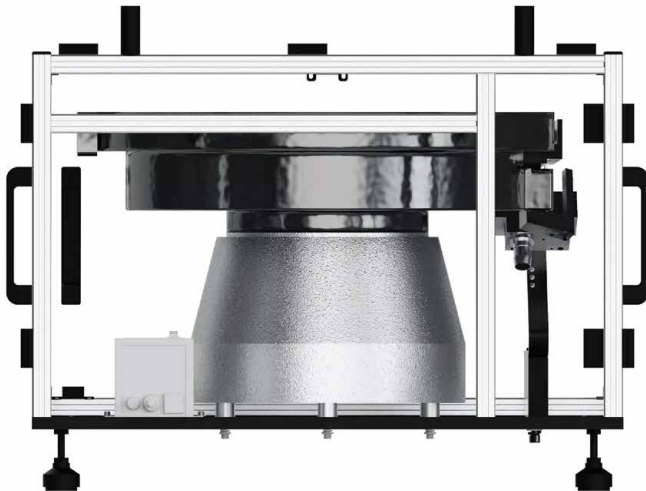


**SKU: A24-111**

## **A24 Vibratory Bowl Feeder Compact Enclosed**

A 24" (610mm) diameter enclosed vibratory bowl feeder suitable for feeding or presenting fasteners to a drive head or dispenser assembly.

# A24 Vibratory Bowl Feeder Compact Enclosed



## Anatomy & Features

The A24 Series of vibratory bowl feeders comes complete with hardened tool steel and stainless steel escapement. Optic controls switch the bowl vibration on and off to prevent excessive wear and over-pressurization of escapement and tooling areas as seen on other manufacturer's systems.

The enclosed design of this feeder ensures minimal particulate contamination when delivering fasteners to a drive head or dispenser, while also serving to reduce the noise caused by the vibration of the drive cell.

- ✓ Resistant to wear & tear damage
- ✓ Standard polyethylene bowl coating
- ✓ Optional hard anodize or urethane bowl coating
- ✓ 3-Step fastener alignment verification prevents jams
- ✓ Hardened & heat-treated durable tool steel composition
- ✓ Longer run time between feeds due to less track level fastener jams
- ✓ Less pinch points & no mechanical adjustments for enhanced safety

## Product Technical Data

Bowl Size	24" (610mm)
Fastener Delivery Method	Blow Feed Delivery
Max. Fastener Head $\varnothing$	26mm
Max. Fastener Length	102mm
Max. Fastener Shaft $\varnothing$	12mm
Fastener Type	Screw, Set Screw, Nut, Bolt, Pin, Stud, Rivet