

A24 Vibratory Bowl Pick & Place Presenter With Hopper

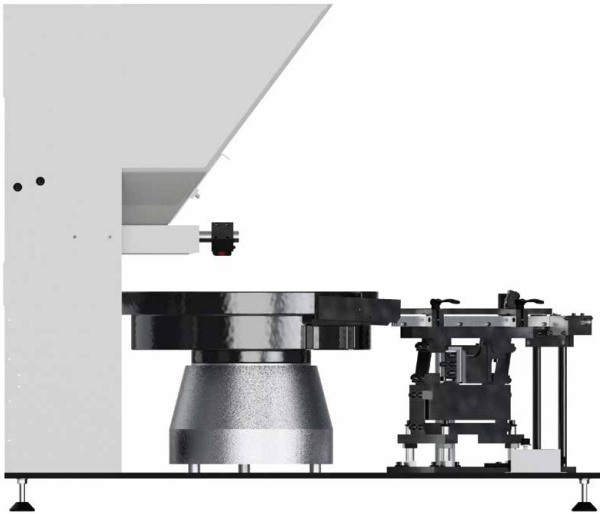


SKU: A24-134

A24 Vibratory Bowl Pick & Place Presenter With Hopper

A 24" (610mm) diameter vibratory bowl presenter with a fastener hopper suitable for feeding or presenting fasteners to a drive head or dispenser assembly.

A24 Vibratory Bowl Pick & Place Presenter With Hopper



Anatomy & Features

The A24 Series of vibratory bowl presenters comes complete with hardened tool steel and stainless steel escapement. Optic controls switch the bowl vibration on and off to prevent excessive wear and over-pressurization of escapement and tooling areas as seen on other manufacturer's systems.

The unique Carlson Fastener Hopper design sits snugly above the vibratory bowl, unlike competing manufacturer models that site adjacent to the device. This causes less footprint, leaving more valuable floor or table space available.

- ✓ Resistant to wear & tear damage
- ✓ Standard polyethylene bowl coating
- ✓ Optional hard anodize or urethane bowl coating
- ✓ 3-Step fastener alignment verification prevents jams
- ✓ Hardened & heat-treated durable tool steel composition
- ✓ Longer run time between feeds due to less track level fastener jams
- ✓ Less pinch points & no mechanical adjustments for enhanced safety

Product Technical Data

Bowl Size	24" (610mm)
Fastener Delivery Method	Presenter Pickup
Max. Fastener Head \emptyset	26mm
Max. Fastener Length	102mm
Max. Fastener Shaft \emptyset	12mm
Fastener Type	Screw, Set Screw, Nut, Bolt, Pin, Stud, Rivet