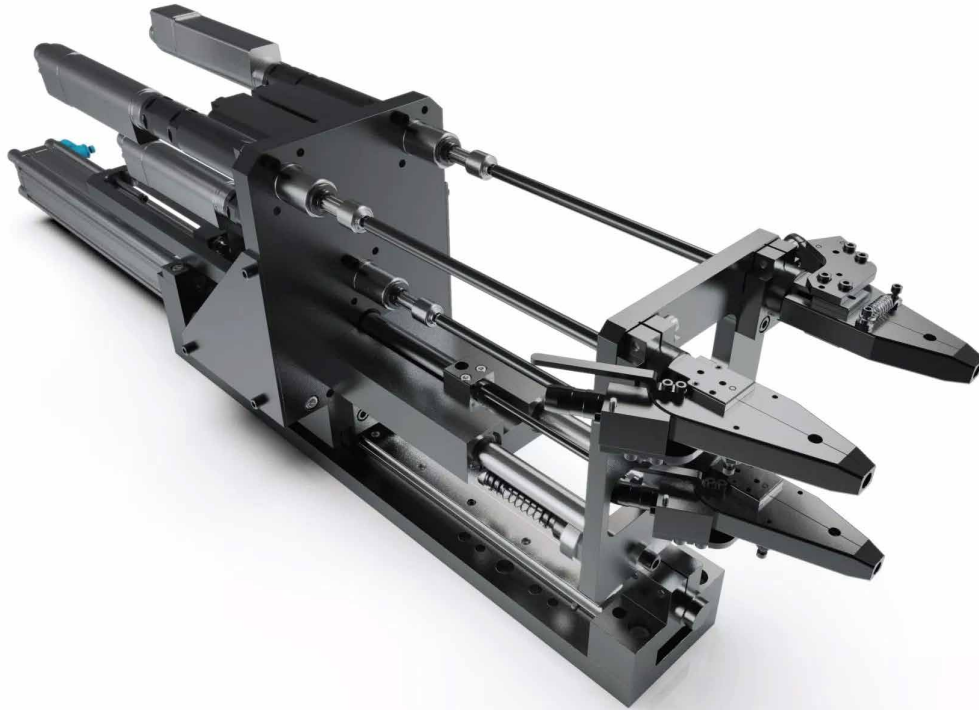


# MidDrive Custom Multi-Spindle Drive Head

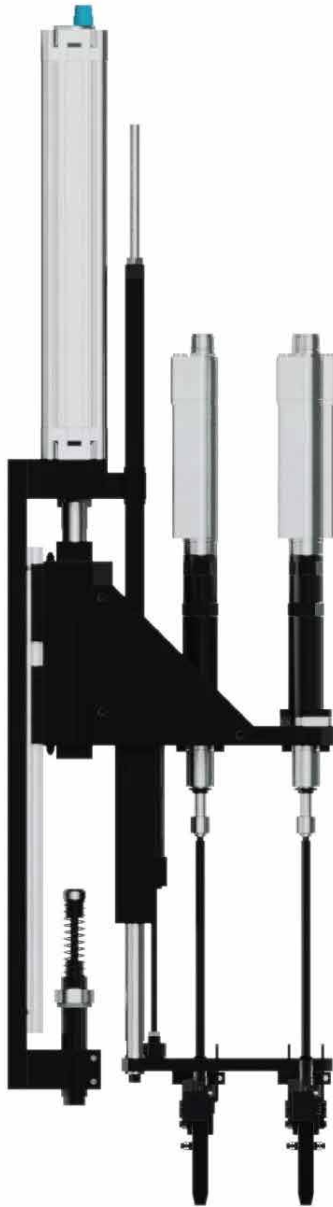


SKU: FXD-140

## MidDrive Custom Multi-Spindle Drive Head

A heavily customized multi-spindle drive head that offers high torque, and can be configured with up to 6 spindles.

# MidDrive Custom Multi-Spindle Drive Head



## Anatomy & Features

A heavily customized multi-spindle drive head that offers high torque, and can be configured with up to 6 spindles.

- > 4 inches wide
- > Screw presence option with bracket
- > 100 Nm torque capacity
- > Quick screwdriver bit change
- > Stroke length 10 inches standard
- > Home and extend limit switches
- > Can be tooled with up to 6 spindles
- > 4 inches wide
- > Screw presence option with bracket
- > 100 Nm torque capacity
- > Quick screwdriver bit change
- > Stroke length 10 inches standard
- > Home and extend limit switches
- > Can be tooled with up to 6 spindles

## Product Technical Data

Drive Head Type	Multi-Spindle
Drive Head Weight	22.6kg (50lb)
Drive Head Width	101mm (4")
Special Pickup	Magnetic Pickup, Vacuum Pickup
Spindle Count	4-6
Torque Capacity	100Nm