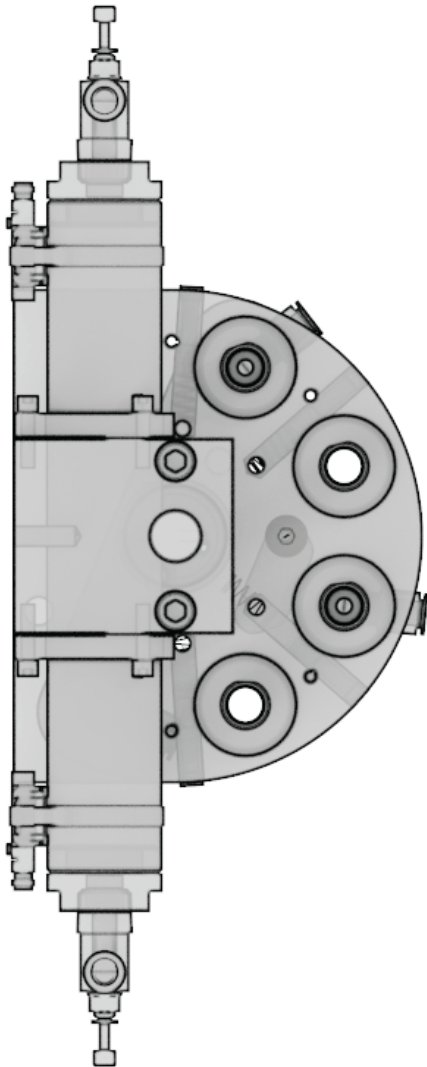




Rotary Diverter

A versatile device for directing fasteners to and from one or more screwfeeders and or drive heads that is easily configurable to divert screws to as many as 4 single-spindle drive heads or one multi-spindled drive head with up to 4 screwdriving spindles.



Can be configured in following ways:

A versatile device for directing fasteners to and from one or more screwfeeders and or drive heads that is easily configurable to divert screws to as many as 4 single-spindle drive heads or one multi-spindled drive head with up to 4 screwdriving spindles.

- > 1-2: One feeder to two spindles
- > 2-1: Two feeders to one spindle (for 2 types of screws)
- > 1-3: One feeder to three spindles
- > 3-1: Three feeders to one spindle (for 3 types of screws)
- > 1-4: One feeder to four spindles
- > 4-1: Four feeders to one spindle (for 4 types of screws)
- > 2-4: One feeder with a dual escapement to four spindles
- > 4-2: Four single-escapement feeders or two dual escapement feeders to deliver 2 different screw sizes to 2 spindles

Anatomy & Features

- > Quick release feed tube assemblies. With a push of a button, the feed tube is released
- > Rotary action is quick, simple, and safe
- > Able to be quickly & easily configured for multiple different types of fasteners by swapping feed tube adapters
- > Fasteners can be blown past the diverter and air can continue to blow down the tube after the diverter shifts to the next position

Product Technical Data

Diverter Type:	Rotary
Weight:	Approx. 2.5 kg
Size (WxLxH):	Approx. 250mm x 114mm x 102mm
Fastener Type:	Bolt, Nut, Pin, Rivet, Screw, Stud
Diverter Delivery Count:	Up to 4