

## S3.5 Vibratory Step Feeder Enclosed

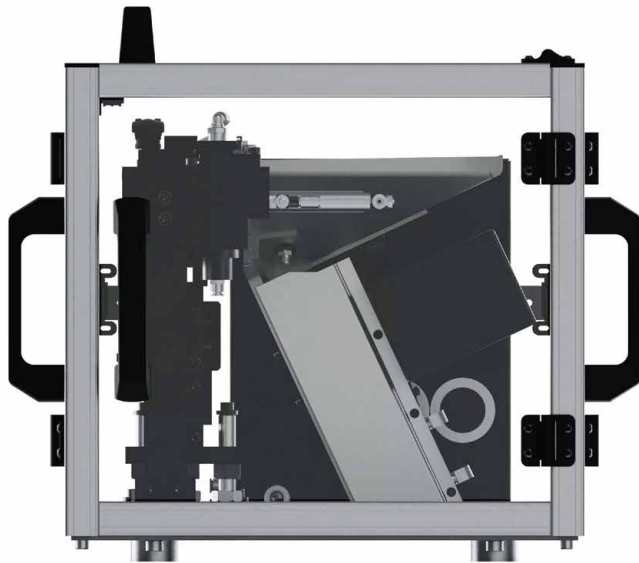


**SKU: S35-118**

## S3.5 Vibratory Step Feeder Enclosed

An electrically motorized 3.5" (90mm) step feeder with an enclosure suitable for feeding or presenting fasteners to a drive head or dispenser assembly.

# S3.5 Vibratory Step Feeder Enclosed



## Anatomy & Features

The S3.5 Series of step feeders comes complete with hardened tool steel and stainless steel escapement. Optic controls switch the bowl vibration on and off to prevent excessive wear and over-pressurization of escapement and tooling areas as seen on other manufacturer's systems.

Featuring an electrically motorized screw elevator assembly which lifts fasteners from the tray into the inline track, step feeders are a more silent option for feeding fasteners. The low vibration also helps to reduce the uneven coating distribution of fasteners coated with loctite or other substrates that is sometimes seen in vibratory bowl feeding.

The enclosed design of this feeder ensures minimal particulate contamination when delivering fasteners to a drive head or dispenser, while also serving to reduce the noise caused by the vibration of the drive cell.

- ✓ Resistant to wear & tear damage
- ✓ Non-magnetic nickel-teflon coating
- ✓ Ideal method for silently feeding/presenting coated fasteners
- ✓ 3-Step fastener alignment verification prevents jams
- ✓ Hardened & heat-treated durable tool steel composition
- ✓ Longer run time between feeds due to less track level fastener jams
- ✓ Less pinch points & no mechanical adjustments for enhanced safety

## Product Technical Data

Step Size	3.5" (89mm)
Fastener Delivery Method	Blow Feed Delivery
Max. Fastener Head Ø	11mm
Max. Fastener Length	38mm
Max. Fastener Shaft Ø	5mm
Fastener Type	Screw, Set Screw, Nut, Bolt, Pin, Stud, Rivet