

S6.0 Vibratory Step Feeder Enclosed With Hopper

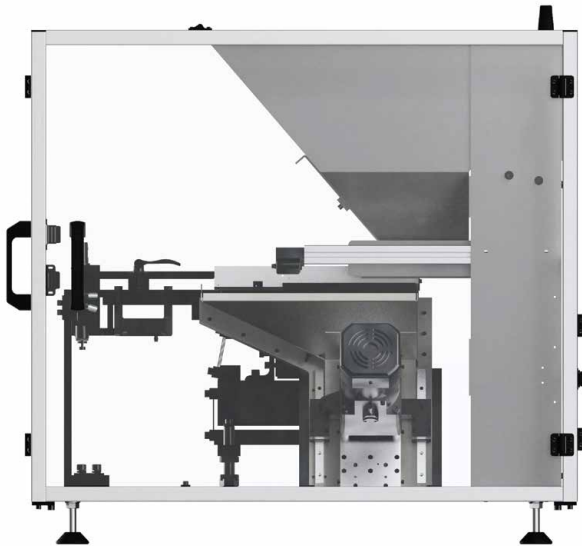


SKU: S60-124

S6.0 Vibratory Step Feeder Enclosed With Hopper

An electrically motorized 6" (152mm) step feeder with an enclosure and a fastener hopper suitable for feeding or presenting fasteners to a drive head or dispenser assembly.

S6.0 Vibratory Step Feeder Enclosed With Hopper



Anatomy & Features

The S6.0 Series of step feeders comes complete with hardened tool steel and stainless steel escapement. Optic controls switch the bowl vibration on and off to prevent excessive wear and over-pressurization of escapement and tooling areas as seen on other manufacturer's systems.

Featuring an electrically motorized screw elevator assembly which lifts fasteners from the tray into the inline track, step feeders are a more silent option for feeding fasteners. The low vibration also helps to reduce the uneven coating distribution of fasteners coated with loctite or other substrates that is sometimes seen in vibratory bowl feeding.

The enclosed design of this feeder ensures minimal particulate contamination when delivering fasteners to a drive head or dispenser, while also serving to reduce the noise caused by the vibration of the drive cell. The unique Carlson Fastener Hopper design sits snugly above the vibratory bowl, unlike competing manufacturer models that site adjacent to the device. This causes less footprint, leaving more valuable floor or table space available.

- ✓ Resistant to wear & tear damage
- ✓ Non-magnetic nickel-teflon coating
- ✓ Ideal method for silently feeding/presenting coated fasteners
- ✓ 3-Step fastener alignment verification prevents jams
- ✓ Hardened & heat-treated durable tool steel composition
- ✓ Longer run time between feeds due to less track level fastener jams
- ✓ Less pinch points & no mechanical adjustments for enhanced safety

Product Technical Data

Step Size	6.0" (152mm)
Fastener Delivery Method	Blow Feed Delivery
Max. Fastener Head \emptyset	19mm
Max. Fastener Length	76mm
Max. Fastener Shaft \emptyset	8mm
Fastener Type	Screw, Set Screw, Nut, Bolt, Pin, Stud, Rivet