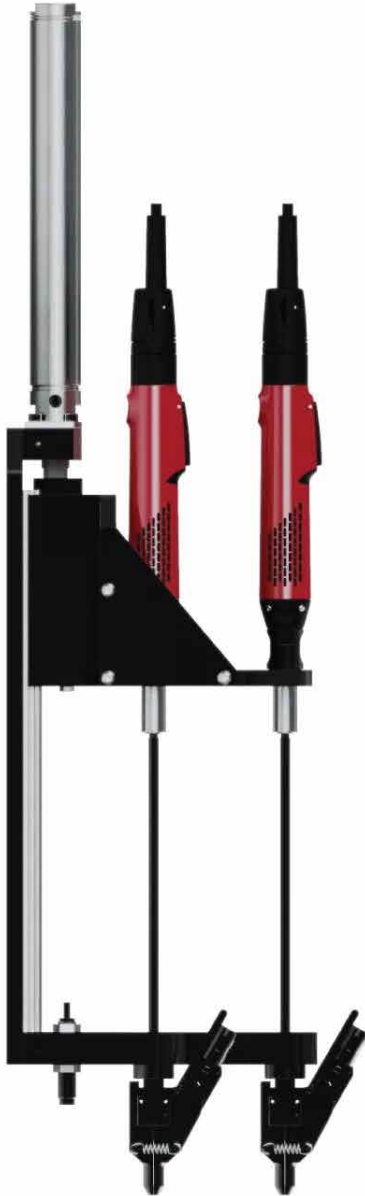




SKU: FXD-168

TwinSlim Multi-Spindle Drive Head

Our most light-weight multi-spindled drive head that can be fitted with up to 4 screwdriver tools at up to 100 Nm of torque, driving the fasteners to depth or to torque.



Anatomy & Features

Our most light-weight multi-spindled drive head that can be fitted with up to 4 screwdriver tools at up to 100 Nm of torque, driving the fasteners to depth or to torque.

- ✓ 100 Nm torque capacity
- ✓ 11.3kg without screwdriver
- ✓ Stroke lengths from 101 - 254mm available
- ✓ 68kg of downward force can be applied to screw
- ✓ Quick screwdriver bit change
- ✓ Home and extend limit switches
- ✓ Dual linear guide bearing for long life
- ✓ Screw presence option with bracket
- ✓ Shock absorbers at all slide travel limits
- ✓ Great for self-drilling screw and applications requiring high thrust
- ✓ Can be tooled with 2-4 screwdriving spindles
- ✓ Jaw stop prevents jaws from touching part eliminating part scuffing

Product Technical Data

Drive Head Type	Multi-Spindled
Torque Capacity	100 Nm
Approximate Weight	16 - 20.4kg
Approximate Width	76.2 - 152.4mm
Bit Extend	None
Max. Fastener Head Ø	26mm
Max. Fastener Length	102mm
Max. Fastener Shaft Ø	12mm