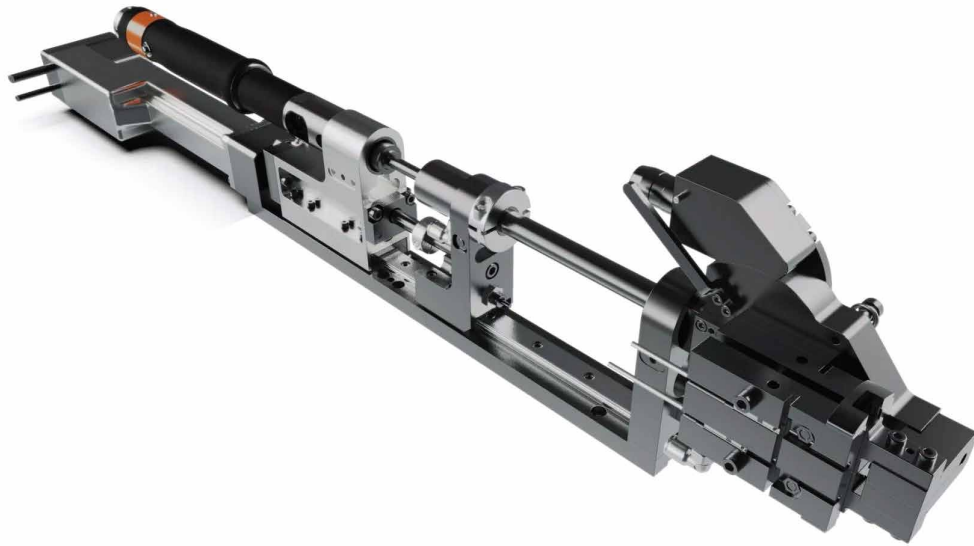


# XMod "Model-S" Type 5 Vacuum Bit Extend Drive Head



SKU: FXD-180

## XMod "Model-S" Type 5 Vacuum Bit Extend Drive Head

A modularly designed & versatile servo-advanced drive head with single or dual-stage automatic screwdriving action that will pick up fasteners with vacuum suction and drive them in place with advanced control over the screwdriver bit movement.

# XMod "Model-S" Type 5 Vacuum Bit Extend Drive Head



## Anatomy & Features

A modularly designed & versatile servo-advanced drive head with single or dual-stage automatic screwdriving action that will pick up fasteners with vacuum suction and drive them in place with advanced control over the screwdriver bit movement.

- ✓ 25 Nm torque capacity
- ✓ 5.4kg without screwdriver
- ✓ Narrow 45mm wide
- ✓ Stroke lengths from 50 - 203mm available
- ✓ Depth control option
- ✓ Quick screwdriver bit change
- ✓ Linear guide bearings for long life
- ✓ Servo positioning outputs & zones
- ✓ Servo-advanced force and speed control
- ✓ Screw presence option with bracket
- ✓ Can adapt to most screwdrivers on the market: DC, electric, or air
- ✓ Jaw stop prevents jaws from touching part eliminating part scuffing

## Product Technical Data

|                       |                   |
|-----------------------|-------------------|
| Drive Head Type       | Type 5            |
| Torque Capacity       | 25 Nm             |
| Approximate Weight    | 5.4kg             |
| Approximate Width     | 45mm              |
| Bit Extend            | Vacuum Bit Extend |
| Max. Fastener Head Ø  | 19mm              |
| Max. Fastener Length  | 76mm              |
| Max. Fastener Shaft Ø | 8mm               |